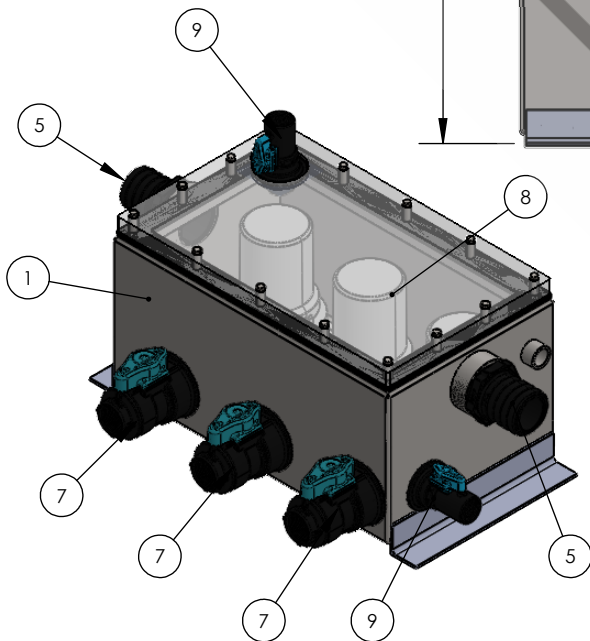
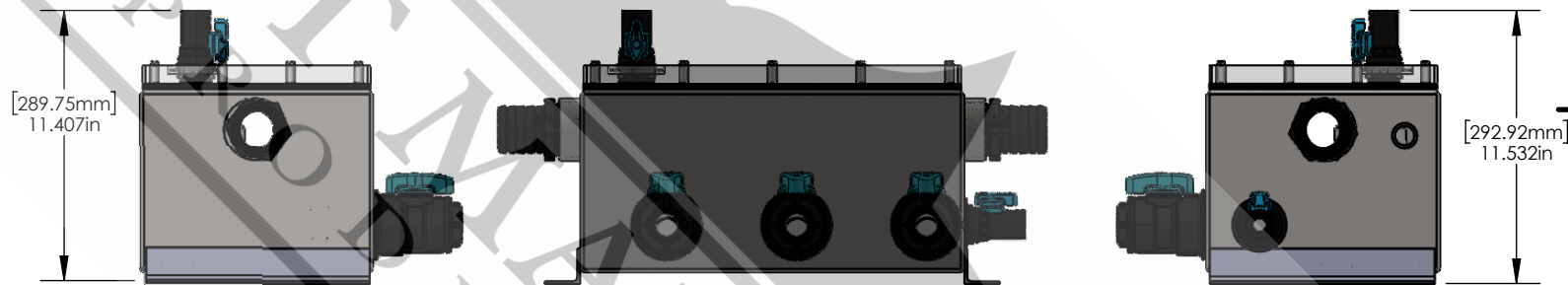
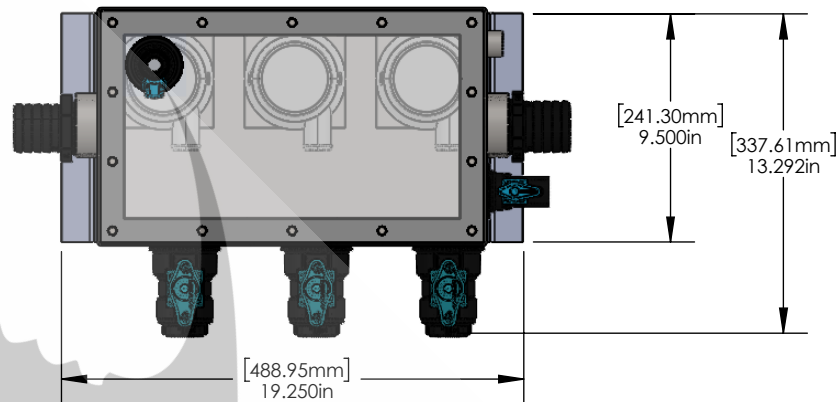

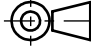


1	2	3	4	5	6
ITEM NO.	PART NUMBER	DESCRIPTION	QTY.		
1	30000B	SS SEACHEST BOX 16in	1		
3	30000G	SEA CHEST GASKET LID 16"X9.625" RUBBER 80GAUGE	1		
4	202-006-15	SS HEX SCREWS 5/16" DIA	14		
5	90518	HOSE BARB STRAIGHT 2"X2" NPS LONG THREAD (OPTIONAL)	3		
6	201-005-01	RULE PUMP 1500GPH /2000GPH 12V	3		
7	91389	BALL VALVE 1" NPS	3		
8	30000.1	ACRYLIC LID 16"X9.625"X0.75"	1		
9	9137	BALL VALVE 3/4" NPS	2		



Material: STAINLESS STEEL 316 MARINE GRADE		This drawing and any information or descriptive material set out on it are the confidential and copyright property of BEST MARINE PRODUCTS LLC. © and MUST NOT BE DISCLOSED, COPIED, LOANED in whole or part or used for any purpose without the written permission of BEST MARINE PRODUCTS LLC.	Description: 1500GPHX3 OR 2000GPHX3 SEA CHEST	
Finish: POWDER COATED			Drawn by: SM	Drawn Date: 01/23/2025
Unless Otherwise Stated: Linear Tol.: ±0.2, Angular Tol.: 0°15' Surface Finish: 32 µin All Dimensions: in		Document Type:	Checked/Approved by: MP	Checked/Approved Date: 01/23/2025
Drawing Scale: 1:8		CONFIDENTIAL		Part Number: 31004/31003
Approx Weight: 41.5 lbs	Drawing Produced In Accordance With: ASME Y14.5	Legal Owner: 	Drawing Number:	
Projection Method: THIRD ANGLE 	Sheet Size: A4	BEST MARINE PRODUCTS LLC. 18693 SW 103rd Ct, Cutler Bay, FL 33157, USA Tel: 305 255-0220 www.bestmarineproducts.com		Sheet: 1 of 1
			Revision: (-)	