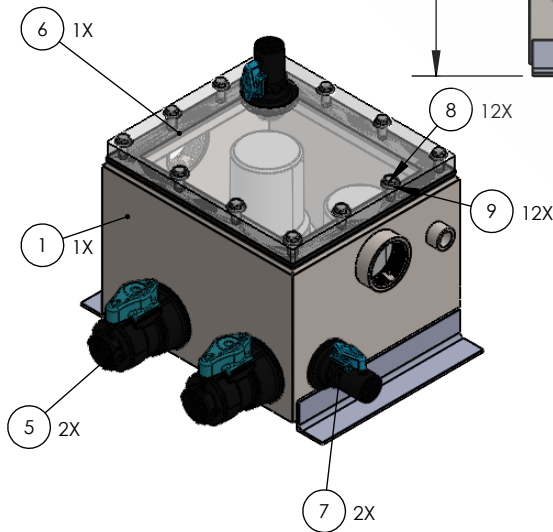
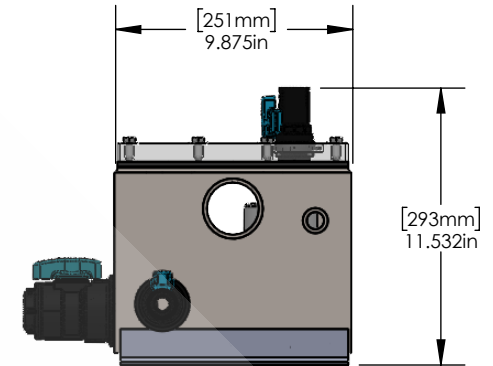
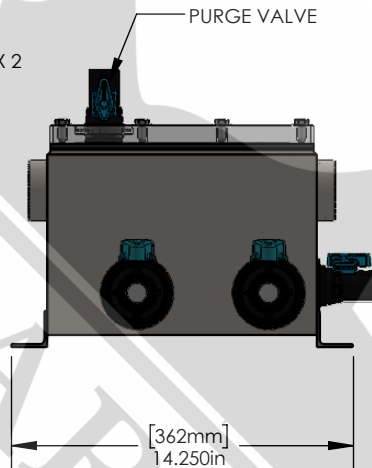
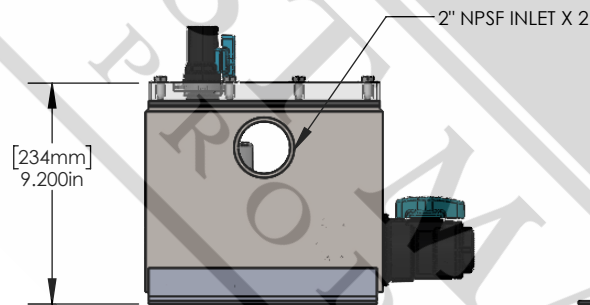
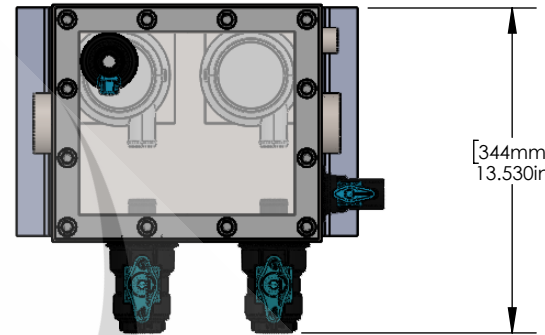


ITEM NO.	PART NUMBER	DESCRIPTION	QTY.
1	1002.6	11" PUMP BOX SS	1
3	20000G	11" LID NEOPRENE GASKET 70A	1
4	201-005-01	RULE PUMP 1500GPH /2000GPH 12V	2
5	91389	BALL VALVE 1in NPS	2
6	20000G	ACRYLIC LID 11"X9.625"X0.75"	1
7	91376	BALL VALVE 3/4" NPS	2
8	92198A687	5/16-18 SS HEX HEAD SCREW 1-1/2"	12
9	90107A030	5-16-18 SS WASHER	12



Material: STAINLESS STEEL 316 MARINE GRADE		This drawing and any information or descriptive material set out on it are the confidential and copyright property of BEST MARINE PRODUCTS LLC. © and MUST NOT BE DISCLOSED, COPIED, LOANED in whole or part or used for any purpose without the written permission of BEST MARINE PRODUCTS LLC.		Description: 1500GPHX2 OR 2000GPHX2 SEA CHEST	
Finish: POWDER COATED		Document Type: CONFIDENTIAL		Drawn by: SM	Drawn Date: 02/10/2026
Unless Otherwise Stated: Linear Tol.: ±0.2, Angular Tol.: 0°15' Surface Finish: 32 µin All Dimensions: in		Legal Owner: BEST MARINE PRODUCTS LLC. 18693 SW 103rd Ct, Cutler Bay, FL 33157, USA Tel: 305 255-0220 www.bestmarineproducts.com		Checked/Approved by: MP	Checked/Approved Date: 02/10/2026
Drawing Scale: 1:8		Part Number: 31001/31002		Drawing Number:	
Approx Weight: 31.75 lbs	Drawing Produced In Accordance With: ASME Y14.5	Sheet Size: A4		Sheet: 1 of 1	Revision: (-)
Projection Method: THIRD ANGLE 